

# INSERT+ 1V SM



Wall mount series. Fixtures consist of:

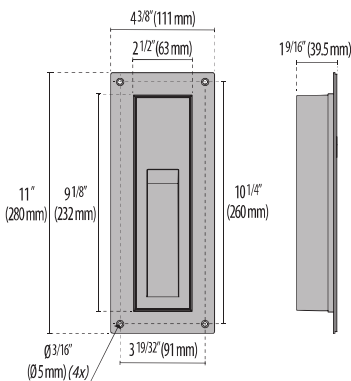
- Multi-step powder-coat painting process, optimized against UV rays and corrosion.
- Copper-free (<1%) precision die-cast aluminum housing and ring/faceplate.
- Frosted, tempered, silk-screened, flat glass diffuser.
- Custom molded, anti-aging gasket(s).
- Custom MCPCB utilized to maximize heat dissipation and promote long LED life.
- To be used with a 24 V low-voltage driver (ordered separately, consult factory for more information).
- Pre-wired factory sealed cable for external electrical connection included.

- The luminaire may be configured with numerous options and multiple standard finishes. Not all options are available in all configurations. Consult factory for more information about specification sheet details to build your light.
- Stainless steel recessed rough-in kit to be ordered separately.
- Product meets Buy American Act (BAA) requirements within ARRA.
- 5-year warranty.



## FINISHES

- AN-96 / Iron gray / Textured
- GR-94 / Aluminum metallic / Textured
- WH-87 / White / Textured
- BK-81 / Black / Textured
- RB-10 / Iron rust / Textured



| Lumen Output | 3K  | 4K  |
|--------------|-----|-----|
| INSERT+ 1 SM | 319 | 333 |



Scan here for  
installation instructions

# Order Guide – INSERT+1 SM



Order code example: I+1V SM-5W-30K-WH

| I+1V SM                 |                   |                                |  |                                   |  |             |
|-------------------------|-------------------|--------------------------------|--|-----------------------------------|--|-------------|
| SERIES                  | Wattage           | CCT                            | Finish   | Voltage                           | Controls   | Accessories |
| I+1V SM<br>Insert+1V SM | 5<br>5W*<br>(max) | 30K*<br>3000K<br>40K*<br>4000K | AM<br>Aluminum<br>Metallic*<br>IG<br>Iron Gray*<br>IR<br>Iron Rust<br>BK<br>Textured<br>Black<br>WH<br>Textured<br>White*<br>CC<br>Custom<br>Color | 24V<br>24V<br>Low-voltage<br>only | Contact<br>Factory for<br>Remote driver<br>options |             |

\*STANDARD OPTION, SHORTER LEAD TIME, NO MOQ\*

80 CRI STANDARD - OTHER OPTIONS AVAILABLE